

MOD-PRSSKIT100(B)
 MOD-PRSSKIT150(B)
 MOD-PRSSKIT300(B)

Modular Series PRSS Projector Mount Ceiling Kit

For Projectors up to 50lb (22kg)

The Peerless-AV® Modular Mount Line includes a small and easily manageable number of sku's, yet provides a full range of options that can fulfill a vast majority of end-user requirements. Universal components make it quick and easy to design and configure the perfect custom projector mounting solution, ideal for any application.

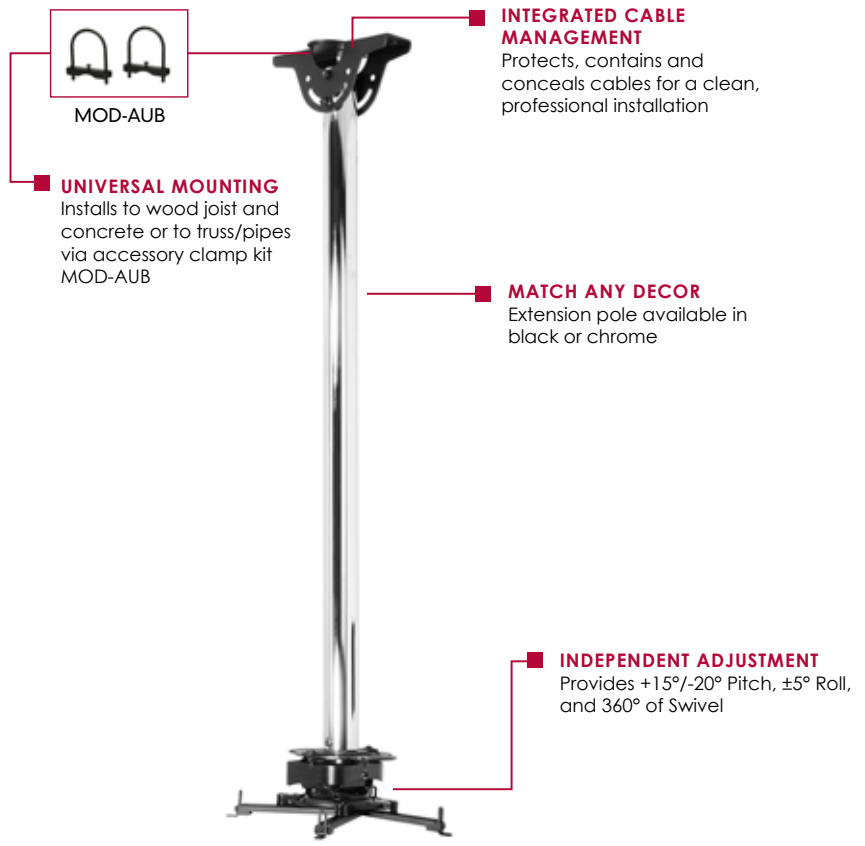
Designed around a 2" (50mm) diameter extension pole, the line is ideal for new projects as well as upgrading existing installations.

The MOD-PRSSKIT100/150/300 Ceiling Mount Kits include all of the components required to mount a projector from the ceiling. As part of the Peerless-AV Modular Series, it can be expanded with additional Modular accessories (sold separately) to accommodate virtually any custom configuration.



FEATURES

- Pre-assembled Kit includes:
 - Cathedral ceiling plate
 - Chrome or black extension pole in lengths of 39" (1m), 59" (1.5m), or 118" (3m)
 - PRSS Projector Mount
 - Universal Spider® Projector Mount Adaptor
- Cathedral ceiling plate can be angled $\pm 60^\circ$ for use with vaulted or sloping ceilings
- Configurable projector installation with drops of 39" (1m), 59" (1.5m) or 118" (3m) in height
- Universal Spider® adaptor designed to work with nearly all projectors weighing up to 50lb (22kg)
- Three axes of independent adjustment provided by the PRSS projector mount enable precise image alignment



Patent Universal Spider® Adaptor



Cathedral Ceiling Plate



Model Numbers

WARRANTY: Limited 5-year

MOD-PRSSKIT100(B)	Modular Series PRSS Projector Mount Ceiling Kit for Projectors up to 50lb (22kg); 39" (1m) height
MOD-PRSSKIT150(B)	Modular Series PRSS Projector Mount Ceiling Kit for Projectors up to 50lb (22kg); 59" (1.5m) height
MOD-PRSSKIT300(B)	Modular Series PRSS Projector Mount Ceiling Kit for Projectors up to 50lb (22kg); 118" (3m) height

Product Specifications

	DIMENSIONS (W x H x D)	PRODUCT WEIGHT	LOAD CAPACITY	FINISH	AVAILABLE COLORS
MOD-PRSSKIT100(B)	4.645"-17.637" x 43.228"-44.212" x 8.858"-17.637" (118-448 x 1098-1123 x 225-448mm)	7.2lb (3.2kg)			
MOD-PRSSKIT150(B)	4.645"-17.637" x 62.913"-63.897" x 8.858"-17.637" (118-448 x 1598-1623 x 225-448mm)	9.6lb (4.3kg)	50lb (22kg)	Powder coat	MOD-PRSSKIT100/150/300: Black with chrome extension pole
MOD-PRSSKIT300(B)	4.645"-17.637" x 121.968"-122.952" x 8.858"-17.637" (118-448 x 3098-3123 x 225-448mm)	17.0lb (7.1kg)			MOD-PRSSKIT100B/150B/300B: Black

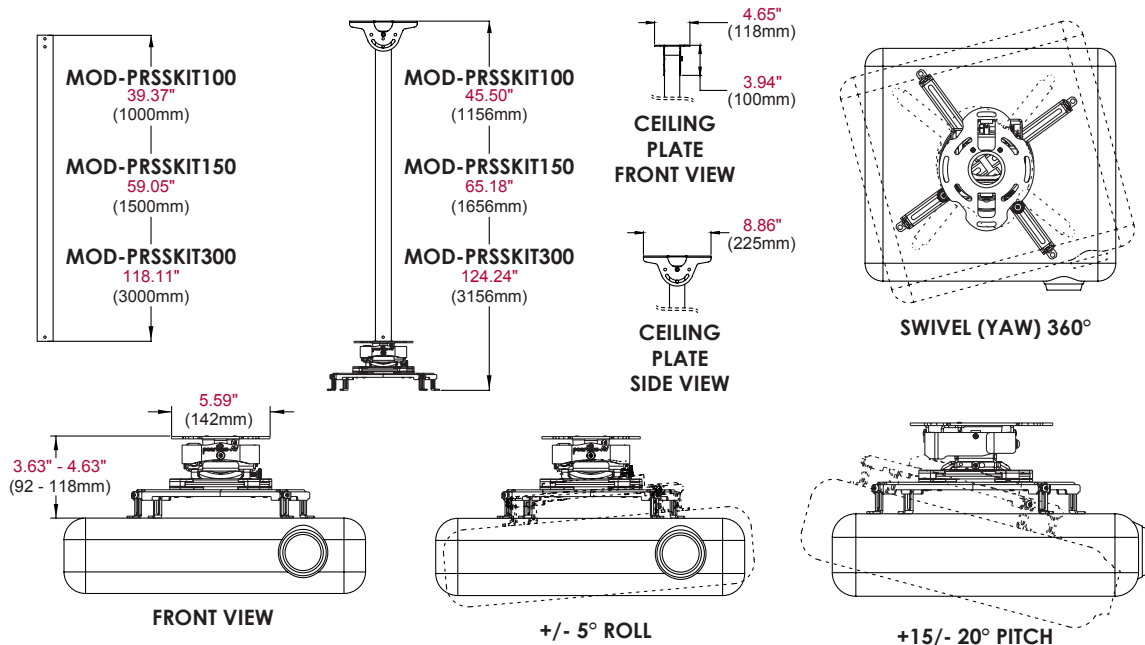
Package Specifications

	PACKAGE SIZE (W x H x D)	PACKAGE SHIP WEIGHT	PACKAGE UPC CODE	PACKAGE CONTENTS	UNITS IN PACKAGE
MOD-PRSSKIT100(B) MOD-PRSSKIT150(B) MOD-PRSSKIT300(B)	BOX1: 10.25" x 10.25" x 8.25" (4.64 x 4.640 x 3.742mm)	BOX1: 4.2lb (1.9kg)	MOD-PRSSKIT100: 735029298939	- MOD-CPC Cathedral ceiling plate	1
	BOX2: 41.50" x 2.50" (1054.10 x 63.50mm)	BOX2: 5.0lb (2.2kg)	MOD-PRSSKIT100B: 735029298946	- MOD-P100 1.0m extension pole or MOD-P150 1.5m extension pole or MOD-P300 3.0m extension pole	
	MOD-PRSSKIT100(B): 61.00" x 2.50" (1549.40 x 63.50mm)	MOD-PRSSKIT100(B): 7.4lb (3.3kg)	MOD-PRSSKIT150: 735029298953	- MOD-ATA Projector Mount Adaptor	
	MOD-PRSSKIT150(B): 120.00" x 2.50" (3048.00 x 63.50mm)	MOD-PRSSKIT150(B): 14.8lb (6.7kg)	MOD-PRSSKIT150B: 735029298960	- PRSS-UNV PRSS Projector Mount	
			MOD-PRSSKIT300: 735029298977		
			MOD-PRSSKIT300B: 735029298984		

Accessories

MOD-CPI: I-Beam Ceiling Plate	MOD-P100(-B): 50mm Extension Pole - 39" (1m)	MOD-ATD-W: Trim Disc
MOD-AUB: U-Bolt Adaptor Accessory	MOD-P150(-B): 50mm Extension Pole - 59" (1.5m)	MOD-APC: Pole Coupler
MOD-CPC(-W): Cathedral Ceiling Plate	MOD-P200(-B): 50mm Extension Pole - 78" (2m)	MOD-ADF: Pole Drilling Fixture
MOD-CPF: Square Ceiling Plate, Flat	MOD-P300(-B): 50mm Extension Pole - 118" (3m)	MOD-ATA: PRSS and PRGS Projector Mount Adaptor
MOD-ACF: Accessory Cover		

All dimensions = inch (mm)



ARCHITECTS SPECIFICATIONS

The Modular Series Ceiling Kit shall be a Peerless-AV model MOD-PRSSKIT100(B)/150(B)/300(B) and shall be located where indicated on the plans. Assembly and installation shall be done according to instructions provided by the manufacturer.

Peerless Industries, Inc. ■ 2300 White Oak Circle ■ Aurora, IL 60502 ■ (800) 865-2112 ■ (630) 375-5100 ■ Fax: (800) 359-6500 ■ peerless-av.com

Visit peerless-av.com to see the complete line of AV solutions from Peerless-AV, including flat panel mounts, projector mounts, carts/stands, furniture, cables, screen cleaners and a full assortment of accessories.