

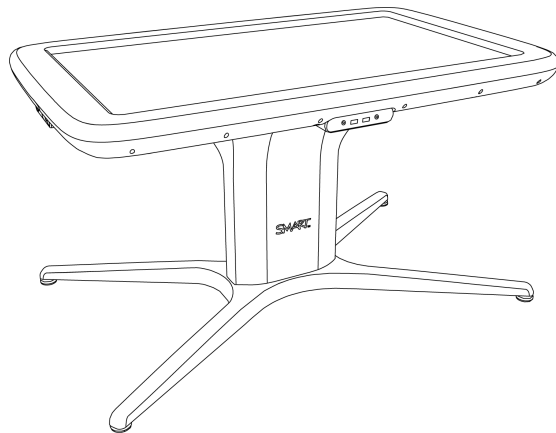
Specifications

SMART Table® collaborative learning center

Model 442i

Physical specifications

Size	45 7/8" L × 28 11/16" W × 25 1/2" H (116.5 cm × 72.9 cm × 64.7 cm)
Active screen area	36 9/16" L × 20 9/16" W (93 cm × 52.3 cm) 42" (106.7 cm) diagonal 16:9 aspect ratio
Weight	132 lb. (60 kg)
Pedestal box	
Shipping size	23 3/16" L × 22 3/8" W × 13 3/8" H (59 cm × 57 cm × 34 cm)
Shipping weight	39 lb. 3 oz. (17.8 kg)
Tabletop box	
Shipping size	56 5/16" L × 37" W × 13 1/2" H (143 cm × 94 cm × 34.4 cm)
Shipping weight	121 lb. (55 kg)



All dimensions +/- 1/8" (0.3 cm). All weights +/- 2 lb. (0.9 kg).

Extraordinary made simple®

SMART®

SPECIFICATIONS

SMART Table® collaborative learning center

Standard features

Software	Integrated SMART Table® software, which you can customize using the included SMART Table Toolkit.
Display resolution	1080p full HD LED LCD
Display technology	<ul style="list-style-type: none">• 500 cd/m² luminance• 50,000 hour operating life time• 50% brightness at 20° from horizontal minimal viewing angle
Touch technology	Multitouch technology based on DVIT® (Digital Vision Touch) technology, which uses cameras to simultaneously detect up to 40 touch points
Audio	<ul style="list-style-type: none">• Integrated 6-speaker stereo system• Four integrated 3.5 mm headphone ports with individual volume controls
Power consumption	Up to 360 W
Warranty	Two-year limited equipment warranty. See warranty document for details.
Product features	<ul style="list-style-type: none">• Wi-Fi® wireless networking technology enables integration with SMART Sync™ classroom management software and access to the SMART Exchange™ website• Integrated support for SMART Document Camera™• Optional fully locking casters for portability• The ability to integrate SMART Notebook™ collaborative learning software lessons into SMART Table activity packs

SMART Table Toolkit software specifications

About the toolkit The SMART Table Toolkit is software that you can install on a Windows® or Mac computer then use to create or import activity packs and applications. You can then transfer these activity packs and applications to your table using a USB drive or SMART Sync software.

Windows computers

Minimum hardware	<ul style="list-style-type: none">• Intel®Pentium® III GHz or faster processor• 512 MB RAM• USB 2.0 receptacle• Video card and monitor with XGA (1024 × 768) resolution support
------------------	--

SPECIFICATIONS

SMART Table® collaborative learning center

Supported operating system	<ul style="list-style-type: none">• Windows XP SP3 x86• Windows Vista SP2 x86• Windows 7 SP1 x86• Windows 7 SP1 x64• Windows 8 x64
Mac computers	
Minimum hardware	<ul style="list-style-type: none">• Intel Core™ Duo 1.83 GHz or faster processor• PowerPC® G4 1 GHz or faster processor• 512 MB of RAM• USB 2.0 receptacle• Video card and monitor with XGA (1024 × 768) resolution support
Supported operating system software	<ul style="list-style-type: none">• Mac OS X 10.6• Mac OS X 10.7• Mac OS X 10.8
Other requirements	<ul style="list-style-type: none">• Administrator privileges• Internet access• Up-to-date antivirus utility

Storage and operating specifications

Storage	-4°F to 140°F (-20°C to 60°C)
Operation	50°F to 104°F (10°C to 40°C) with up to 80% humidity non-condensing

SMART order number

ST442i	SMART Table 442i collaborative learning center
---------------	--

Optional accessories

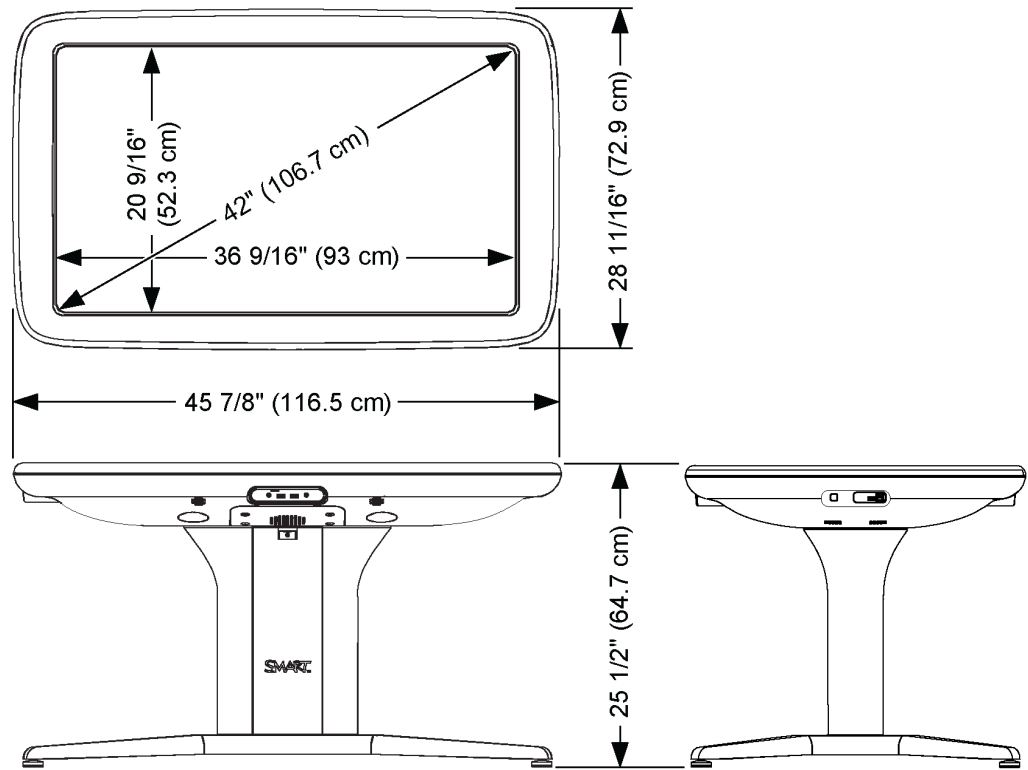
ST-CSTR	Set of 4 lockable casters
ST-DCC	SMART Custom power cable that allows SMART Document Cameras to draw power directly from the SMART Table

SPECIFICATIONS

SMART Table® collaborative learning center

Physical dimensions

Top view



Front view

Side view

smarttech.com/support
smarttech.com/contactsupport

© 2013 SMART Technologies ULC. All rights reserved. SMART Table, SMART Document Camera, SMART Sync, SMART Notebook, SMART Exchange, smarttech, the SMART logo and all SMART taglines are trademarks or registered trademarks of SMART Technologies ULC in the U.S. and/or other countries. All third-party product and company names may be trademarks of their respective owners. This product and/or use thereof covered by one or more of the following U.S. patents. www.smarttech.com/patents. Contents are subject to change without notice. 01/2013.